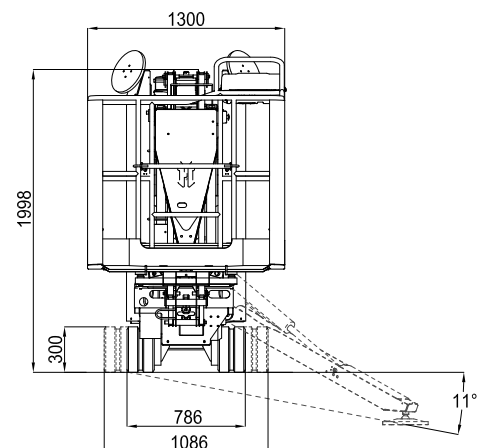
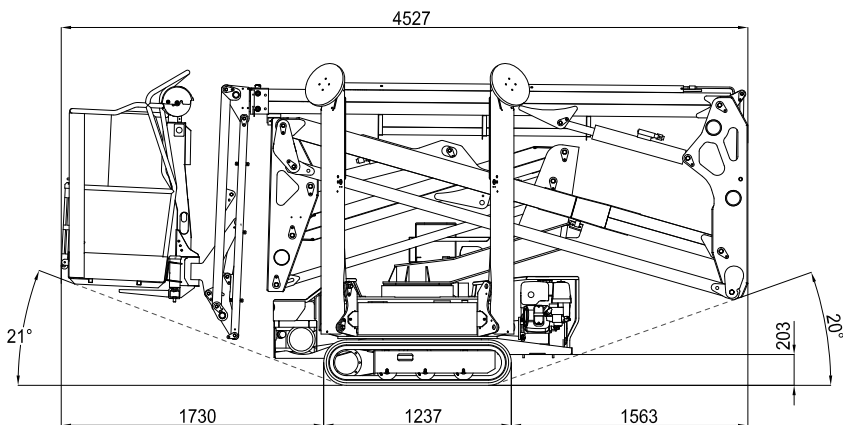
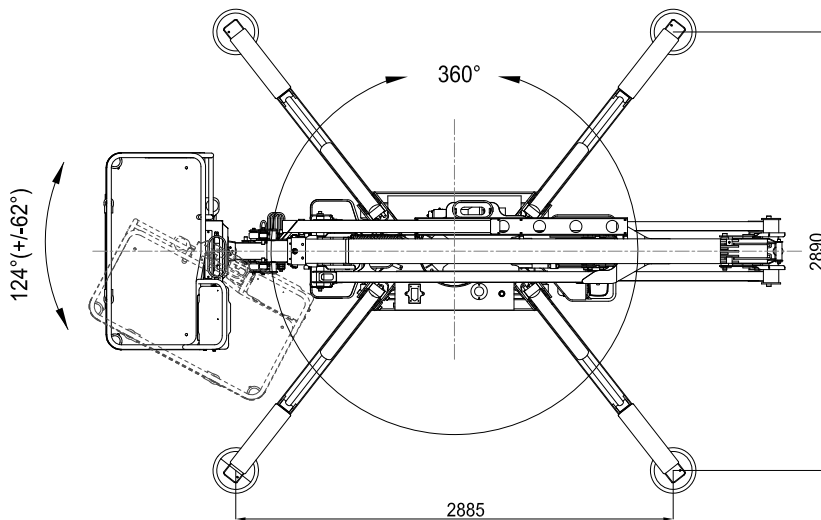


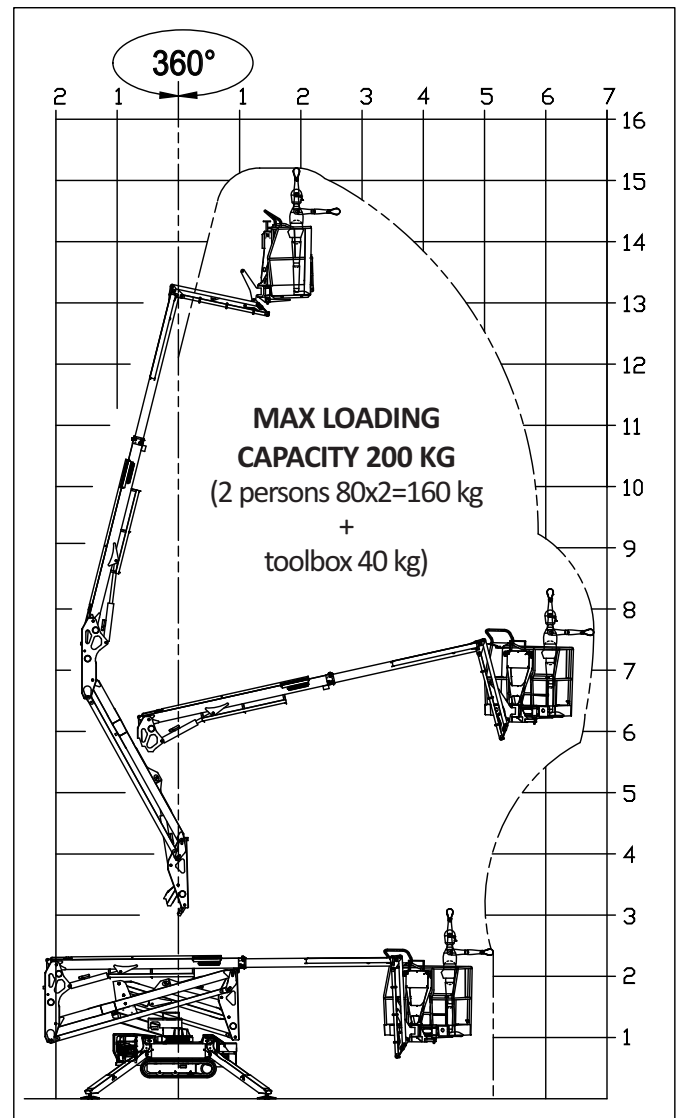
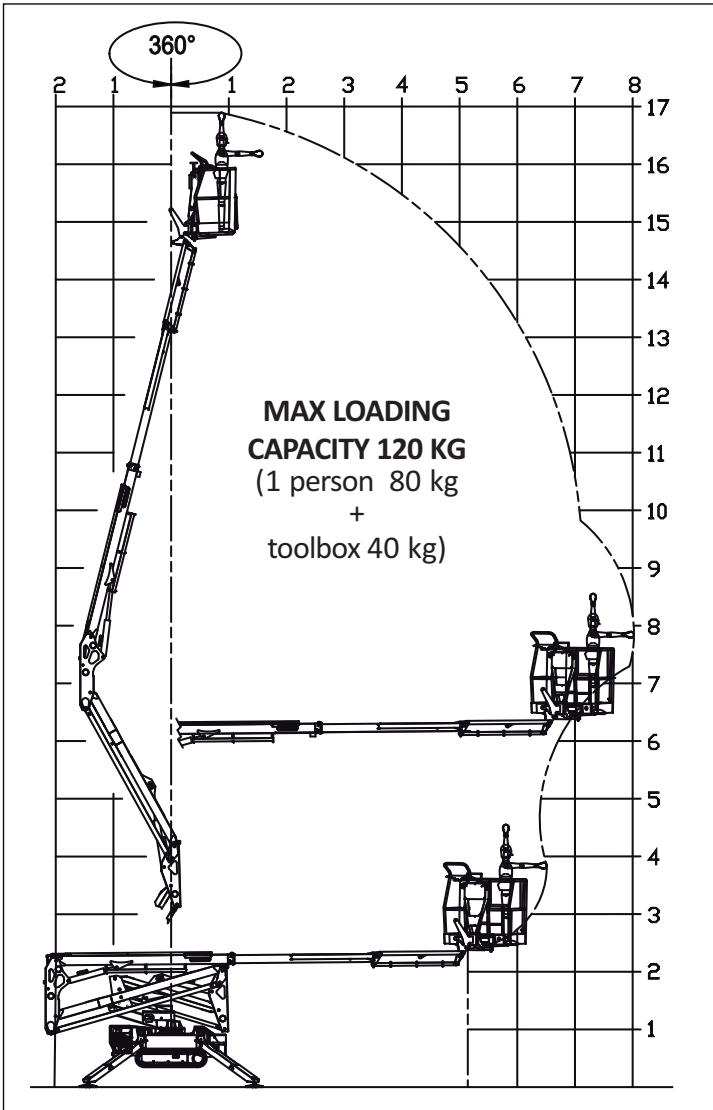
# TRACKED AERIAL PLATFORMS



## GOLDLIFT 17.80XL *MS*



**GOLDLIFT 17.80XL III**



# TRACKED AERIAL PLATFORMS



## **GOLDLIFT 17.80XL III S**

### PETROL ENGINE

Brand.....HONDA  
Type.....iGX440 cc  
Pistons no. and displacement ..... single-cylinder 440 cc  
Max. gross power..... 12,7 HP - 9,5Kw @ 3600 rpm  
Electrical start ..... 12 volt

### DIESEL ENGINE

Brand .....HATZ  
Type..... 1B40 - HD Autorev  
Pistons no. and displacement ..... single-cylinder 462 cc  
Max. gross power. .... 10 HP - 7,5Kw @ 3600 rpm  
Electrical start ..... 12 volt

### ELECTRIC MOTOR

Standard .....230V / 50 Hz - 2,2 Kw  
Optional .....110V / 50 Hz - 2,2 Kw

### HYDRAULIC PUMPS

Pump diesel engine .....no. 2 gear pumps  
Pump electric motor .....no. 2 gear pumps

### TRACKED UNDERCARRIAGE

Track tensioner .....grease-filled  
Rollers no. per side .....3 + slide  
Widening system.....786 / 1086 mm  
Translation speed ..... 1,3 km/h  
Translation speed ( with optional high speed ) ..... 1,7 / 3,3 km/h

**WEIGHT MACHINE** ..... 2100 kg  
**MAX UPPER SLANT** .....15° / 26,8%  
**MAX WIND SPEED** ..... 12,5 m/s

**GOLDLIFT 17.80XL *ITS* LITHIUM *ION***

**ELECTRIC SYSTEM**

Electric system voltage.....	48V-12V
Lithium battery pack.....	4,8 kWh
Autonomy (continuous cycle)* .....	4-5 h
Onboard battery charger .....	220V 50Hz
Optional battery charger .....	110V 50Hz
Recharge time on flat batteries.....	4 h (indicative)
Recharge time to 80% on flat batteries.....	2 h (indicative)

**HYDRAULIC PUMPS**

Electric motor .....	no.2 gear pumps
----------------------	-----------------

**TRACKED UNDERCARRIAGE**

Track tensioner .....	grease-filled
Rollers no. per side .....	3 + slide
Widening system .....	786 - 1086 mm
Translation speed .....	0,9 km/h
Second translation speed (optional) .....	1,1 / 2,1 km/h

<b>WEIGHT MACHINE</b> .....	2190 kg
<b>MAX UPPER SLANT</b> .....	15° / 26,8%
<b>MAX WIND SPEED</b> .....	12,5 m/s

\* (Autonomy measured with Hinowa H2 operating cycle)